



# ASV130 ACTUATED STOP VALVE RANGE (BAM APPROVED)

**FEATURES:**

- Large flow capacity.
- High working pressures.
- Available in a range of sizes.
- Pneumatic actuation permits remote operation.
- Proven Reliability
- Proximity switches provide open / closed indication.

**SPECIFICATION:**

- Medium : Oxygen and inert gases
- Maximum inlet pressure : 420 barg, (5800 psig).
- Actuator operating pressure : 6 barg, (87 psig).
- Operating temperature range : -20 to 70°C.

**MATERIALS OF CONSTRUCTION:**

- Actuator Body : Mild steel zinc plated.
- Valve Body : Bar Stock Brass BS2874:CZ115
- Seat : Monel 500 heat treated to BS3076:NA18
- Seals : Viton E60C

**APPLICATIONS:**

- Cylinder filling.
- Gas supply systems.
- High purity test systems.

**VALVE SIZES:**

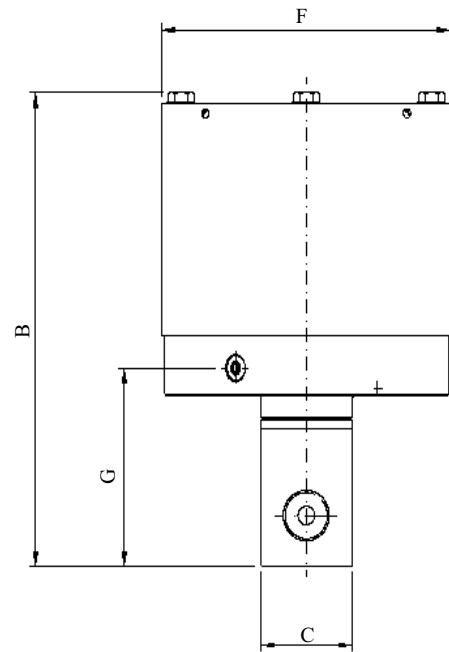
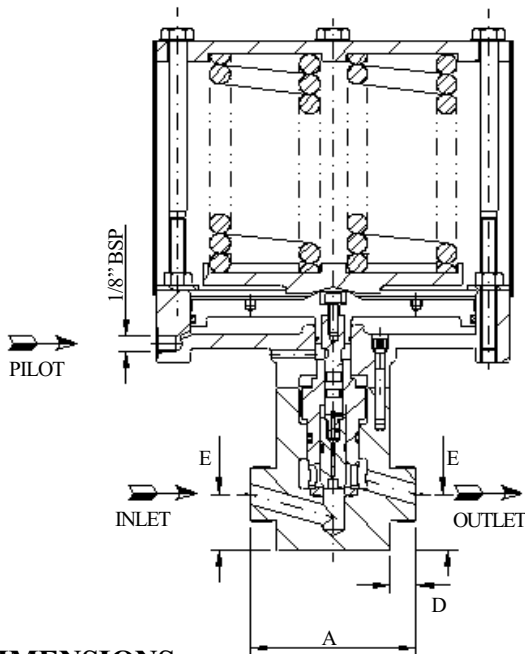
- 12.5mm
- 16.0mm
- 20.0mm

**APPROVALS:**

- BAM approved for use with oxygen at 420 barg.

**OPTIONS:**

- Couplings can be supplied if required.
- Other materials on request.
- Proximity switches.



**DIMENSIONS:**

Model	A (mm)	B (mm)	C (mm)	D (mm)	E (mm)	F (mm)	G (mm)	Inlet / Outlet Ports	Valve size (mm)
ASV130	102	328	70	16	35	220	137	1"3/8-12UNF- 3A	12.5
ASV131	133	337	83	25	45	220	146.5	2"5/16-12NS3A	20
ASV132	118	337	88	17.5	42	220	146.5	2" -12UN-3A	16

HALE HAMILTON