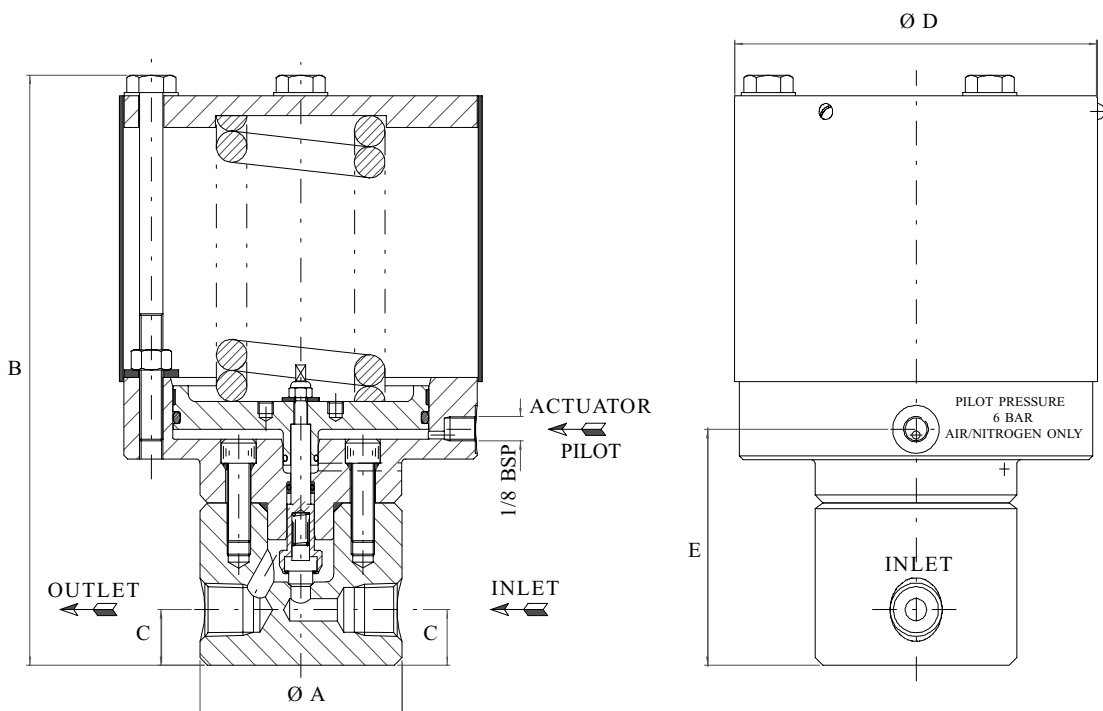




## SERIES 2000 STOP VALVES - ACTUATED VERSIONS

### HP2000A & HP2100A - ACTUATED STOP VALVES



**FEATURES:**

- Large flow capacity.
- High Working Pressures.
- Corrosion Resistant.
- Available in a range of sizes.
- Pneumatic actuation permits remote operation.
- Mountable from the base.

2 MOUNTING HOLES  
M10x15 THREAD x 25  
MIN DEPTH OF THREAD

ALL DIMENSIONS IN mm

**SPECIFICATION:**

- Medium : High purity gases.
- Maximum inlet pressure : 400 barg, (5800 psig).
- Actuator operating pressure : 6 barg, (87 psig).
- Operating temperature range : -20°C to 150°C.
- Connection type : NPT female.

**MATERIALS OF CONSTRUCTION:**

- Actuator Body : 316 stainless steel.
- Valve Body : Bar stock 316 stainless steel.
- Seat : Stainless steel AISI 440C.
- Spindle : Stainless steel AISI 440C.
- Seals : Viton E60C.
- Other materials available on request.

**APPLICATIONS:**

- Cylinder filling.
- Gas supply systems.
- High purity test systems.

**OPTIONS:**

- Hard and soft seats available.
- 4mm, 8mm and 12mm valves.
- Welded in-line versions available.
- Other sizes available on request.

Model	A (mm)	B (mm)	C (mm)	D (mm)	E (mm)	F (mm)	Inlet/Outlet Ports	Valve Size (mm)
HP2000A	57	146	12	115	60	38	1/4"NPT Female	4
HP2100A	83	236	22	148	94	60	1/2"NPT Female	8