



RH11 HIGH PRESSURE CONTROLLER

PROPORTIONAL PNEUMATIC CONTROL FOR REMOTE CONTROL APPLICATIONS

FEATURES:

- A sensitive and accurate pressure regulator
- Operates at high inlet pressure
- High turndown ratio
- Outlet pressure proportional to control pressure
- Various outlet pressure ranges available
- Suitable for most industrial gases and liquids

SPECIFICATIONS:

- Maximum inlet pressure:
 - Hydraulic - 690 barg (10,000 psig)
 - Gas - 465 barg (6,750 psig)
 - Outlet pressure ranges: see order information
 - Control pressure range: 0 to 7bar (100psi)
 - Flow coefficient (Cv): 0.6
 - Nominal Bore: 7mm
 - Fluid Media: Gases (including sour gases) and Hydraulic Fluids
 - Operating temperature range: -20 to +70C
 - Process Ports: 1/4", 3/8" or 1/2" female NPT, BSP or SAE threads available for all ports
 - Control Port: 1/8" BSP
 - Spill and Gauge Ports: 3/8" female BSP
- Other industry standard ports can be provided

MATERIALS OF CONSTRUCTION:

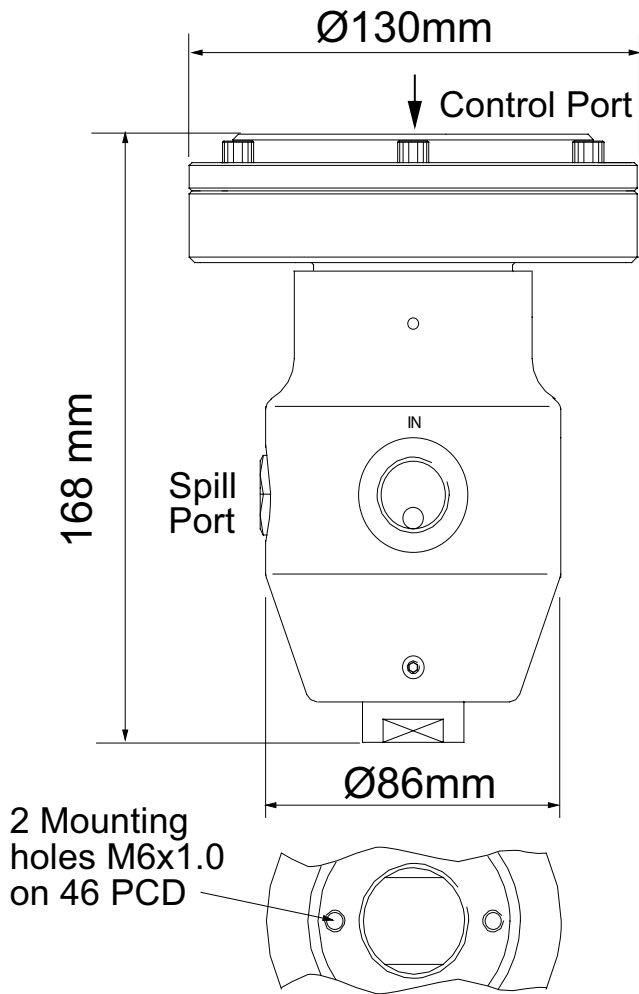
- Body - 316 stainless steel, Aluminium Alloy, Brass or Nickel Aluminium Bronze.
- Dome - Aluminium Alloy or Brass
- Soft Seat - Seal: PEEK 450G; Stem: 316 SST
- Hard Seat - Seal: 17/4 SST; Stem: ANSI 440C SST
- O rings - Viton, Buna-N or EPDM

OPTIONAL FEATURES:

- Electrical control
- Pressure gauges



HALE HAMILTON



ORDERING INFORMATION:

- RH11 1 S A S V 2A D X X 0
- Basic Series** _____
- Outlet Pressure Range** _____
 1 - 0 to 90 bar (1305psi)
 2 - 0 to 140 bar (2030psi)
 3 - 0 to 240 bar (3480psi)
 4 - 0 to 300 bar (4350psi)
 5 - 0 to 400 bar (5800psi)
- Body Material** _____
 S - Stainless Steel, B - Brass,
 A - Al Alloy, N - NAB
- Dome Material** _____
 A - Al Alloy, B - Brass
- Seat Option** _____
 S - Soft, H - Hard
- O rings** _____
 V - Viton, B - Buna-N, E - EPDM
- Porting Code** _____
 See Configuration Drawings
- Process Port** _____
 A - 1/4"NPT, B - 1/4"BSP, C - 1/4"SAE
 D - 3/8"NPT, E - 3/8"BSP, F - 3/8"SAE
 G - 1/2"NPT, H - 1/2"BSP, I - 1/2"SAE
- Inlet Gauge** _____
 X - No Gauge
 A - 0-200 psig
 B - 0-600 psig
 C - 0-1000 psig
 D - 0-2000 psig
 E - 0-3000 psig
 F - 0-6000 psig
 G - 0-10000 psig
- Outlet Gauge** _____
 X - No Gauge
 A - 0-1500 psig
 B - 0-2500 psig
 C - 0-4000 psig
 D - 0-4500 psig
 E - 0-6000 psig
- Electrical Control** _____
 0 - not supplied, 1 - 0 to 10V, 2 - 4 to 20mA

Standard Port Configurations
 (other configurations are available)

