

SERIES 24 HIGH PURITY HP1700 ANALYTICAL PRESSURE REGULATOR

TWO STAGE REGULATOR FOR PRECISION OUTLET PRESSURE CONTROL

FEATURES:

- 316 stainless steel diaphragms for long life, minimum maintenance.
- Machined from solid bar stock 316 stainless steel.
- Kel-F® seats.
- Optional features include panel mounting, pressure gauges, matched relief valve, cylinder connection (BS 341, DIN or CGA).
- Tied diaphragm option (stainless steel only).

SPECIFICATIONS:

- Maximum inlet pressure: 5450 psi (376 bar).
- Adjustable outlet pressure ranges: 0-30, 0-75 and 0-150 psi.
- Body ports: 1/4" NPT (F) - 6 port options.
- Maximum air flow: 100 L/min. air.
- Fluid media: Gases or liquids compatible with materials of construction.
- Outlet pressure rise per 1000 psi inlet pressure decay: 0.064 psi.
- Operating temperature: -40°F to +212°F: (-40°C to + 100 °C).
- Flow coefficient Cv = 0.065.
- Approximate weight: 2.5 lbs (1.15 kg).

APPLICATIONS:

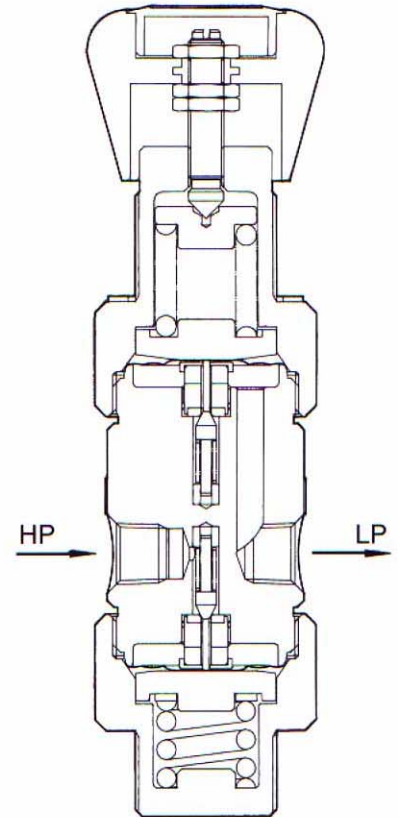
- Regulation of corrosive and speciality gases.
- Gas chromatography.
- Instrumentation control.
- Cylinder gases.

MATERIALS OF CONSTRUCTION:

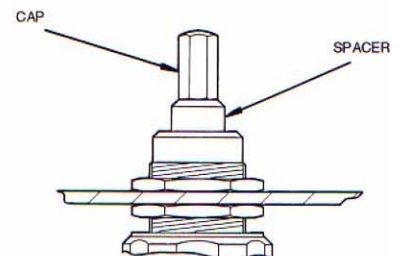
- BODY - Bar stock 316 stainless steel (brass option).
- SEAT AND SEAL - 316 stainless steel & Kel-F®.
- DIAPHRAGM - 316 stainless steel.

OPTIONAL FEATURE:

- Low cost brass model.

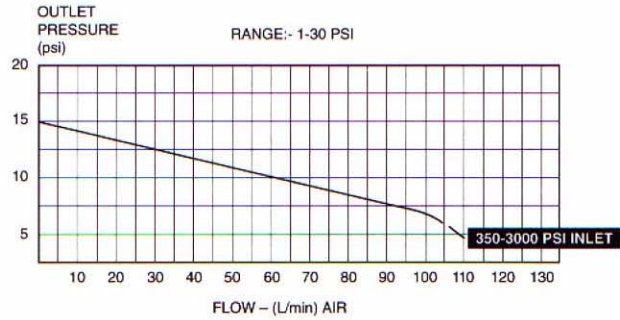
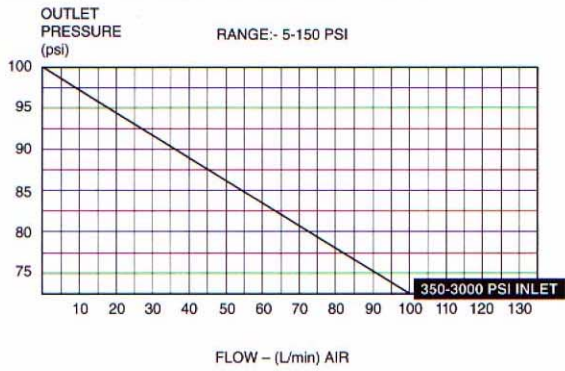


**Preset and locked
discharge pressure**
Control knob replaced by
locking cap and spacer



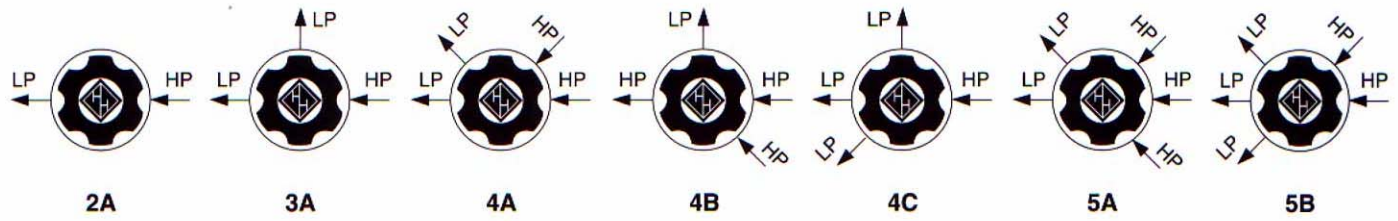
HALE HAMILTON

DISCHARGE CHARACTERISTICS:

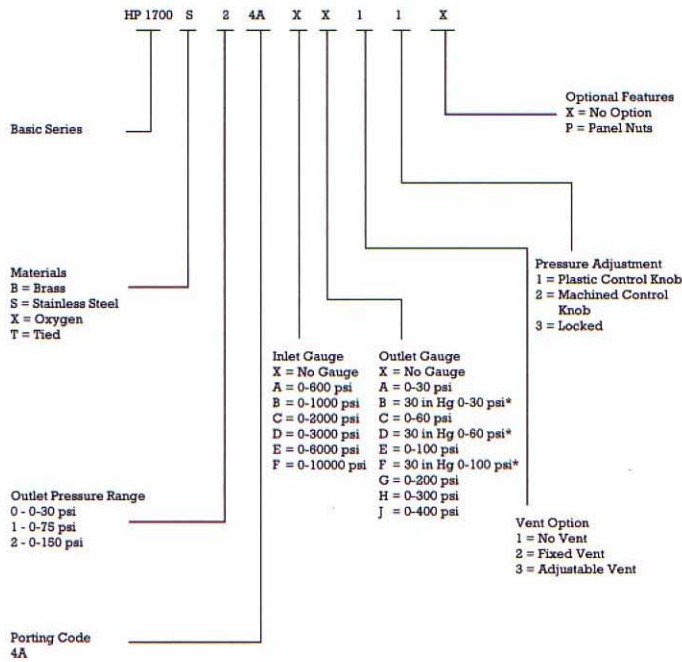


PORTING CODES:

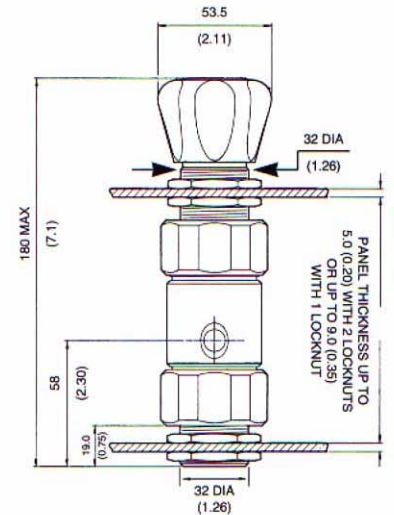
(Alternative Port configurations are available)



ORDERING INFORMATION:



INSTALLATION:



Imperial equivalent in parenthesis (inches)
 Note: All dimensions are reference and nominal

VCR Trademark of Cajon
 TEFLON Trademark of Du-Pont
 KEL-F Trademark of 3M

* Stainless Steel & Oxygen regulators only



Data subject to change without prior notification.