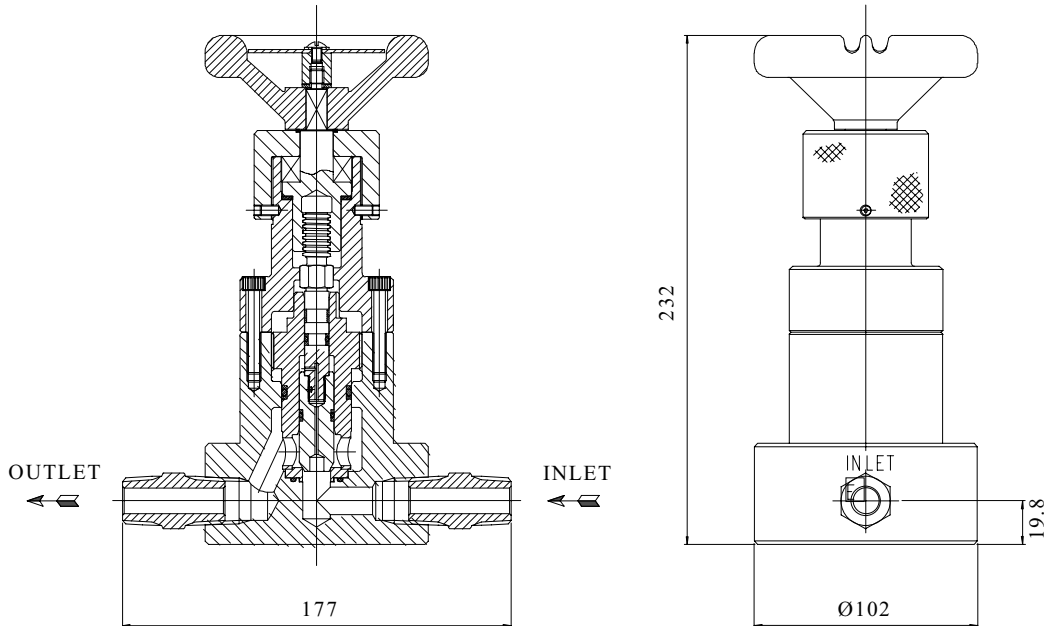




SERIES 2000 STOP VALVES - MANUAL VERSION

HP2200 - 12.5mm N.B. MANUAL STOP VALVE



4 HOLES M10x1.5-6H x 15.86 DEEP
EQUI-SPACED AS SHOWN ON 63.5 PCD

FEATURES:

- Large flow capacity.
- High Working Pressures.
- Corrosion Resistant.
- Mountable from the base.

SPECIFICATION:

- Medium : High purity gases.
- Maximum inlet pressure : 400 barg, (5800 psig).
- Operating temperature range : -20 to 150°C.
- Inlet/Outlet Ports : 1/2" NPT Male.

MATERIALS OF CONSTRUCTION:

- Valve Body : Bar stock 316 stainless steel
- Seat : Stainless steel AISI 440C
- Spindle : Stainless steel AISI 440C
- Seals : Viton E60C.
- Other materials available on request

APPLICATIONS:

- Cylinder filling.
- Gas supply systems.
- High purity test systems.

OPTIONS:

- Hard and soft seats available.
- Welded in-line versions available.
- Other sizes available on request.

